

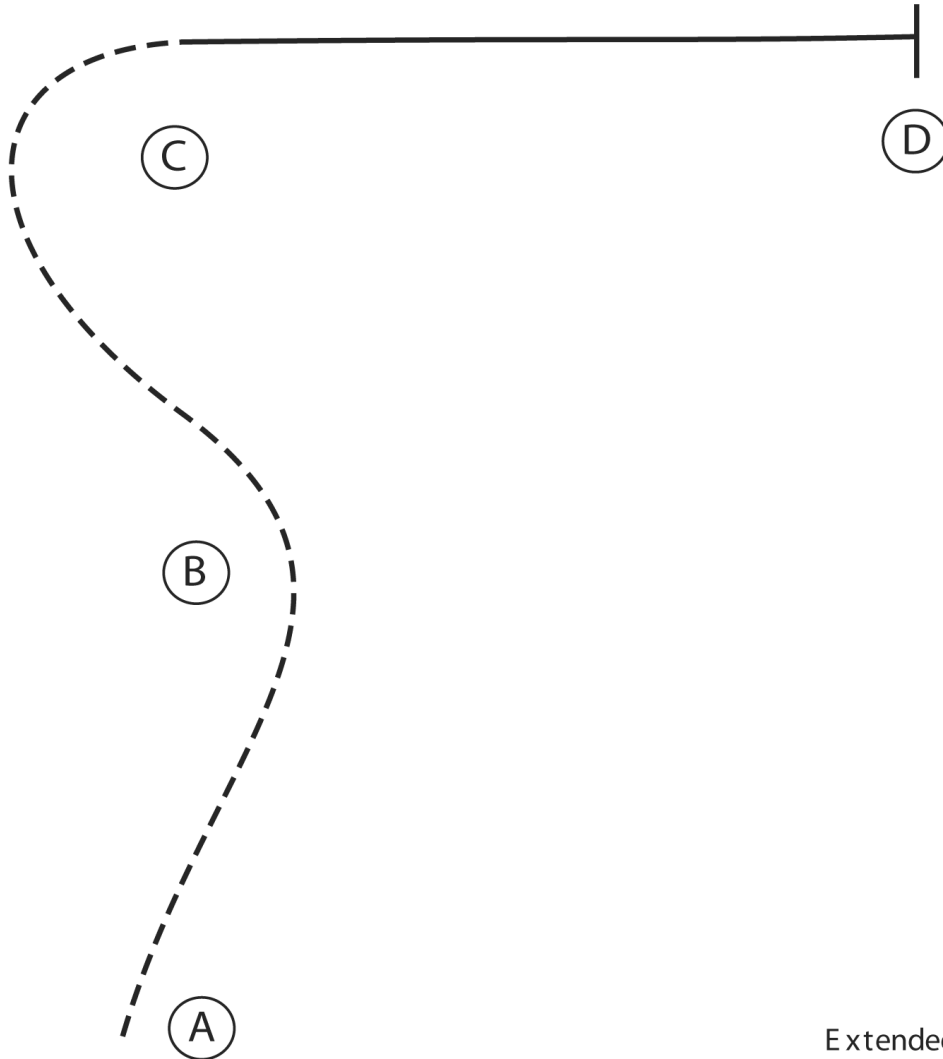
# Buckle Series 2018

## English Equitation 8-10, 11-13

Show Date: June 23, 2018

w w w . H o r s e S h o w P a t t e r n s . c o m

w w w . H o r s e S h o w P a t t e r n s . c o m



1. Posting trot A to B on the right diagonal
2. At B change diagonals and continue to C
3. At C canter on the right lead to D
4. Stop at D

Walk	.....
Trot	-----
Extended T rot	-----
Canter	—————
Leg Yield	
Lead Change	↘
Back	←←←←
Marker	(B)
Sidepass	←←←←

[HSE/1-9]

**Pattern Provided by:**  
*Show Management*

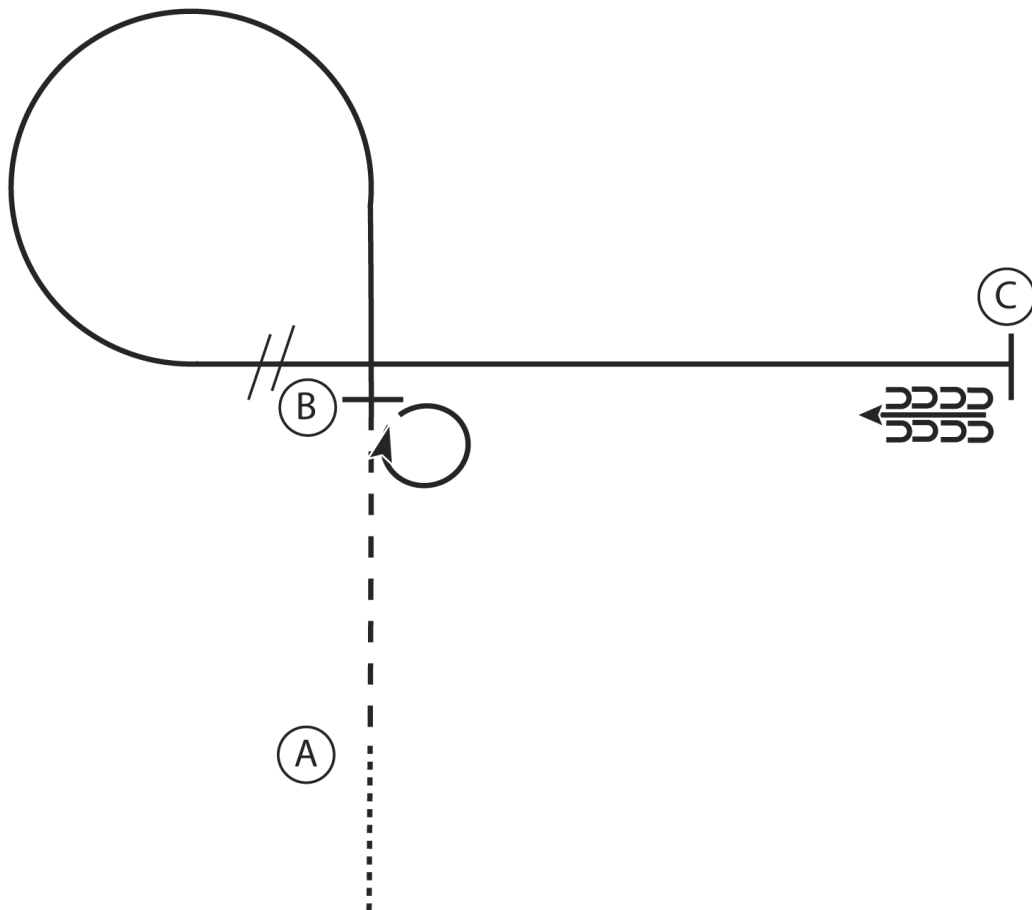
# Buckle Series 2018

## Western Horsemanship 14-18, 19&O

Show Date: June 23, 2018

w w w . H o r s e S h o w P a t t e r n s . c o m

w w w . H o r s e S h o w P a t t e r n s . c o m



1. Walk to A
2. At A jog to B
3. Stop at B and perform a 360 degree turn to the right
4. Lope a circle to the left
5. At B perform a lead change and continue to C
6. At C stop and back 5 steps

Walk	.....
Jog	-----
Extended Jog	-----
Lope	—————
Leg Yield	
Lead Change	↙
Back	←←←←←
Marker	Ⓚ
Sidepass	←---←

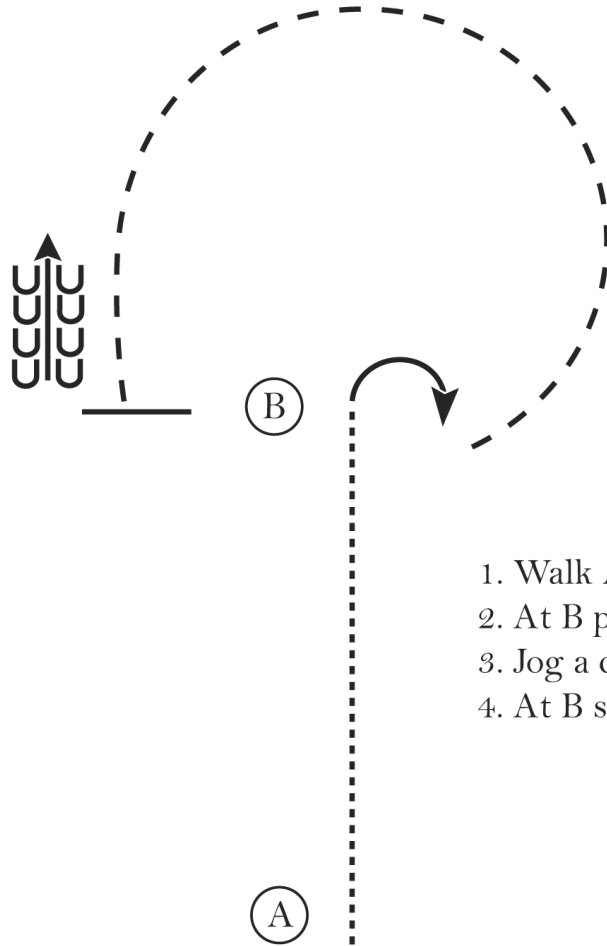
[WH/2-10]

**Pattern Provided by:**  
*Show Management*

# Buckle Series 2018

## Western Horsemanship W/T

Show Date: June 23, 2018



1. Walk A to B
2. At B perform a 90 degree turn to the right
3. Jog a circle around B
4. At B stop and back 4 steps

Walk	.....
Jog	-----
Extended Jog	- - - - -
Lope	—————
Leg Yield	
Lead Change	↘
Back	← ⤵ ⤵ ⤵
Marker	(B)
Sidepass	←-----→

[WH/WT-7]

Pattern Provided by:  
*Show Management*

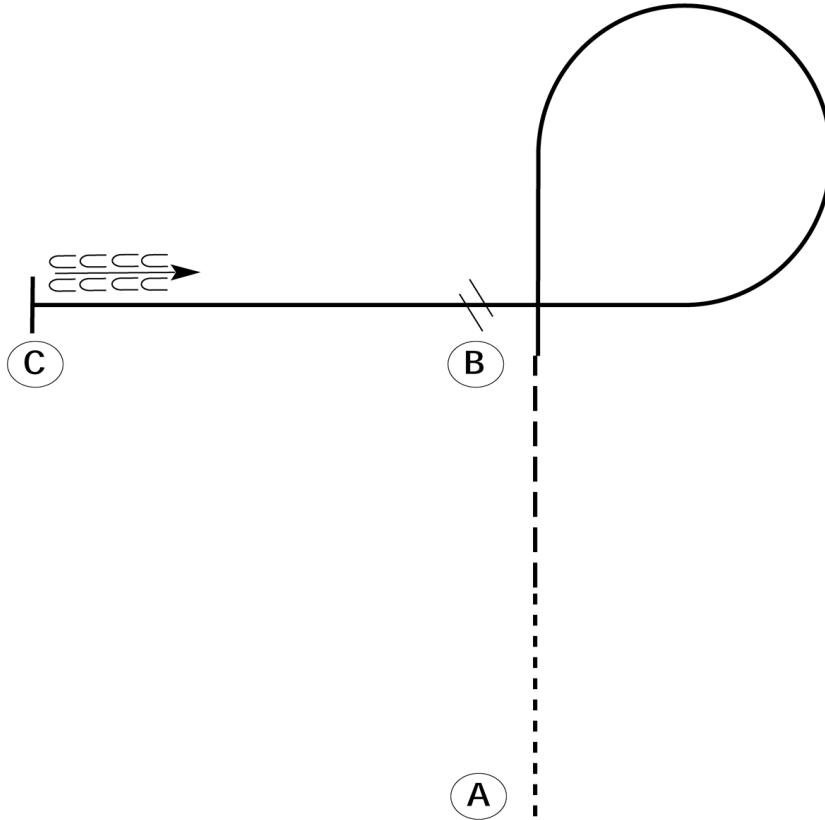
# Buckle Series 2018

Western Horsemanship 8-10,11-13

Show Date: June 23, 2018

w w w . H o r s e S h o w P a t t e r n s . c o m

w w w . H o r s e S h o w P a t t e r n s . c o m



Be ready at A.

1. Walk from A 1/2 way to B.
2. Jog the rest of the way to B.
3. Lope a circle to the right.
4. Change leads at B.
5. Lope on the left lead to C.
6. Stop at C and back one horse length.

Retire to the rail or line up at a jog.

Walk -----

Jog - - - - -

Extended Jog - - - - -

Lope \_\_\_\_\_

Leg Yield |||||

Lead Change /

Back ← ← ←

Marker (B)

Sidepass ← ← ←

[WH/2-25]

Pattern Provided by:  
*Show Management*

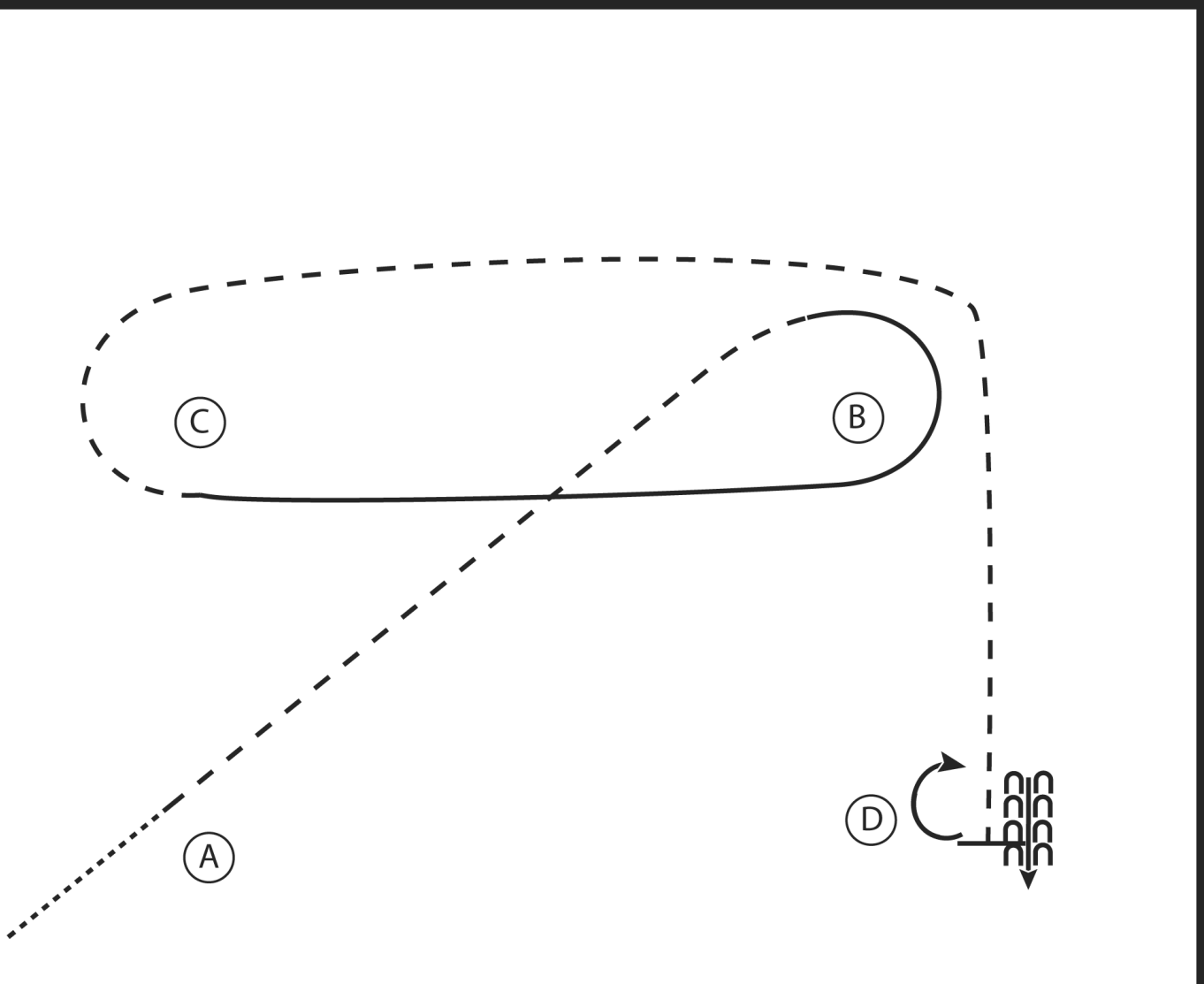
# Buckle Series 2018

## English Equitation 14-18, 19&0

Show Date: June 23, 2018

w w w . H o r s e S h o w P a t t e r n s . c o m

w w w . H o r s e S h o w P a t t e r n s . c o m



1. Walk to A
2. Sitting trot to B
3. At B canter on the right lead around B to C
4. At C posting trot around C and B to D
5. At D stop and perform a 180 degree turn to the right on the hindquarters
6. Back 4 steps

Walk	.....
Trot	-----
Extended Trot	-----
Canter	—————
Leg Yield	
Lead Change	—/—
Back	← c c c c
Marker	(B)
Sidepass	←-----←

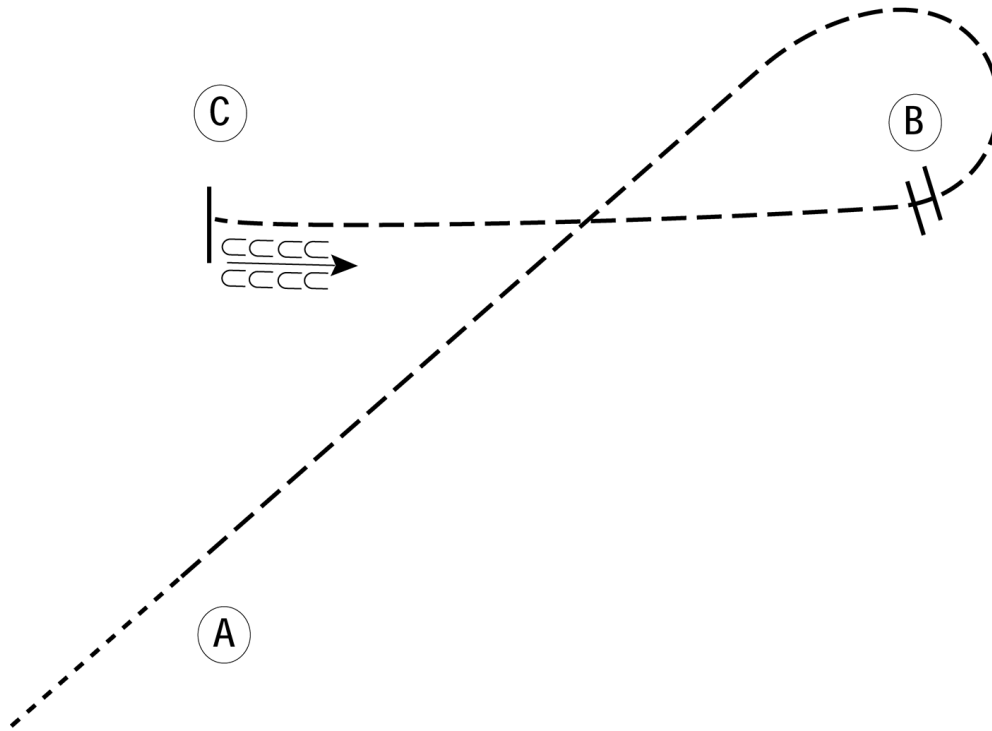
[HSE/2-10]

**Pattern Provided by:**  
*Show Management*

# Buckle Series 2018

## English Equitation W/T

Show Date: June 23, 2018



Be ready before A.

1. Walk to A.
2. Posting trot on the left diagonal from A to and around B.
3. Change diagonals at B.
4. Posting trot on the right diagonal around to C.
5. Stop at C. Back approximately one horse length.
6. Follow the instructions of your ring steward.

Walk	-----
Trot	- - - - -
Extended Trot	— — — —
Canter	—————
Leg Yield	
Lead Change	— / —
Back	← C C C C
Marker	⊢ B
Sidepass	← — — — →
Hand Gallop	— — — —

[HSE/WT-19]

Pattern Provided by:  
*Show Management*

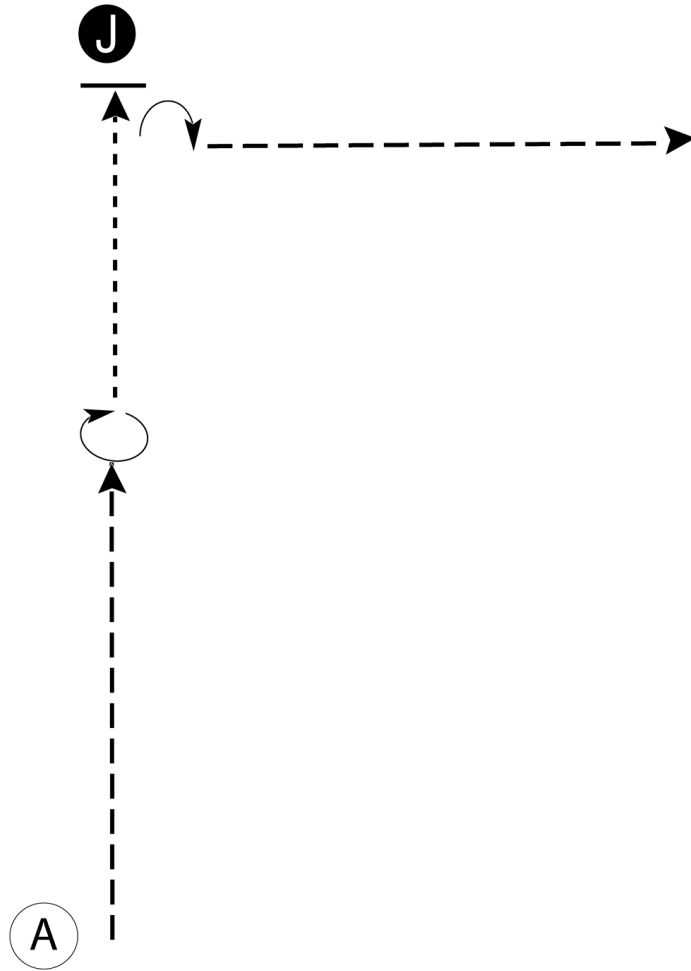
# Buckle Series 2018

English Showmanship W/T, 8-10, 11-13

Show Date: June 23, 2018

w w w . H o r s e S h o w P a t t e r n s . c o m

w w w . H o r s e S h o w P a t t e r n s . c o m



1. Be ready at A.
2. Trot half way to the Judge.
3. Perform a 360 degree turn.
4. Walk to the Judge, stop and set up for inspection.
5. When dismissed perform a 90 degree turn and trot to the line up or follow the instructions of your ring steward.

- Walk -----  
Trot - - - - -  
Back ← -----  
Marker (B)  
Judge (J)

[S/1-17]

Pattern Provided by:  
*Show Management*

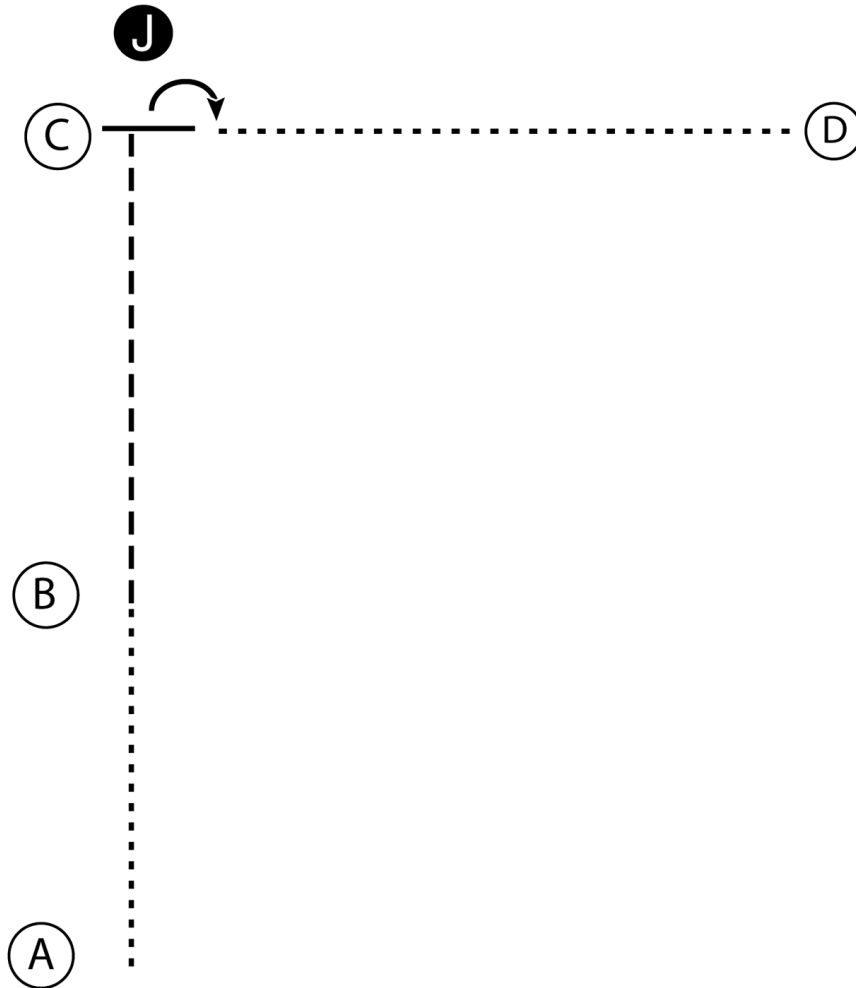
# Buckle Series 2018

Western Showmanship W/T, 8-10, 11-13

Show Date: June 23, 2018

w w w . H o r s e S h o w P a t t e r n s . c o m

w w w . H o r s e S h o w P a t t e r n s . c o m



1. Walk from A to B.
2. Trot from B to C.
3. Stop at C and set up for inspection.
4. When dismissed perform a 90 degree turn.
5. Walk to D.

Walk - - - - -

Trot - - - - -

Back ←

Marker (B)

Judge (J)

[S/1-4]

Pattern Provided by:  
*Show Management*



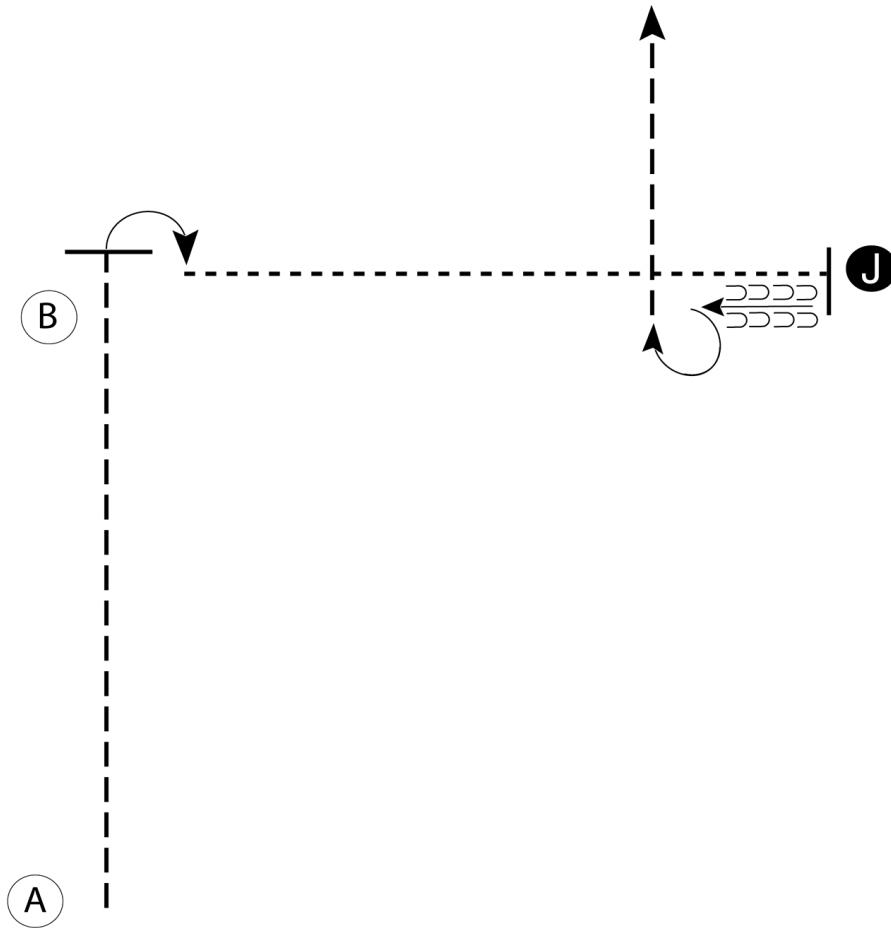
# Buckle Series 2018

Western Showmanship 14-18, 19&O

Show Date: June 23, 2018

w w w . H o r s e S h o w P a t t e r n s . c o m

w w w . H o r s e S h o w P a t t e r n s . c o m



1. Begin at A. Trot from A past B
2. Stop and perform a 90 degree turn
3. Walk to the Judge, stop and set up for inspection
4. When dismissed back one horse length and perform a 270 degree turn
5. Trot to the line-up

Walk	-----
Trot	- - - - -
Back	←
Marker	ⓑ
Judge	ⓐ

[S/1-14]

Pattern Provided by:  
*Show Management*

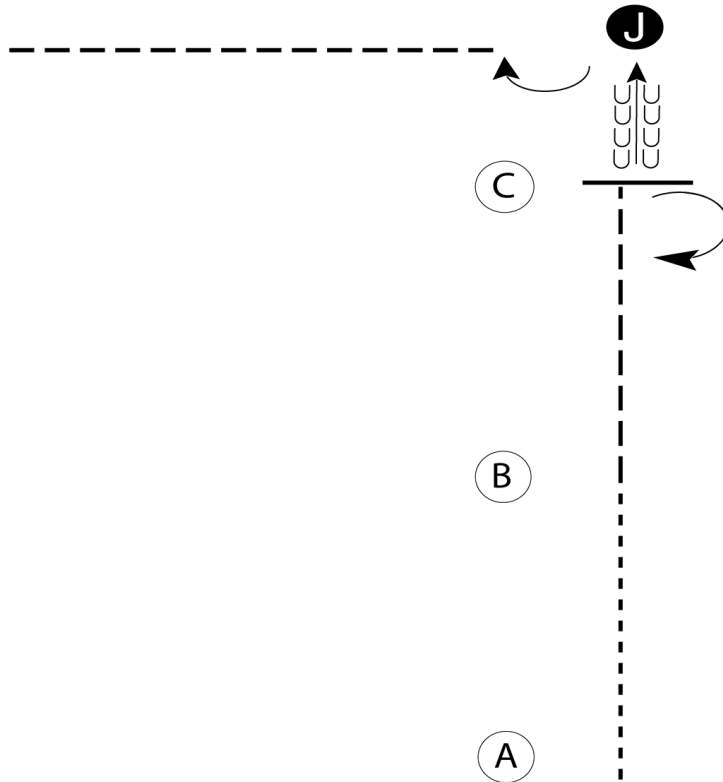
# Buckle Series 2018

English Showmanship 14-18, 19&0

Show Date: June 23, 2018

w w w . H o r s e S h o w P a t t e r n s . c o m

w w w . H o r s e S h o w P a t t e r n s . c o m



1. Walk from A to B.
2. Trot from B to C.
3. Stop at C and perform a 180 degree turn.
4. Back to Judge, set up for inspection.
5. When dismissed perform a 90 degree turn and trot straight away from Judge.

- Walk -----
- Trot -----
- Back ←
- Marker (B)
- Judge (J)

[S/2-6]

Pattern Provided by:  
*Show Management*